

# REBLOC 84XEAL\_8

Standard element

Application  
**Permanent system**

Installation  
**Embedded**

H2

W1

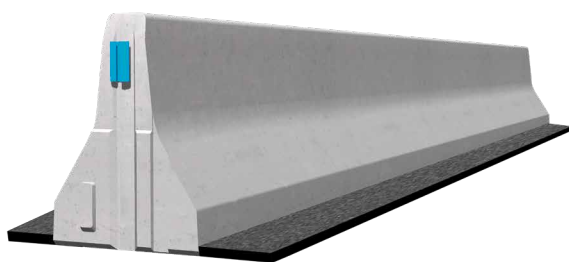
tested according to EN1317-1/2



Containment level           **H2** (covers H1, N1, T3, T2, T1)  
 Working width               **W1** (covers W2, W3, W4, W5, W6, W7, W8)  
 Impact severity level       **ASI B**

## Product features & Advantages

- Only 4 cm embedment in asphalt/concrete
- Ideal application for limited space and for short minimum installation lengths
- No system movement with slim construction



The vehicle restraint system REBLOC 84XEAL\_8 is embedded 4 cm in asphalt or concrete and is mainly used, where a high containment level is needed within a narrow space.

The installation of short barrier sections is possible due to a short minimum installation length. The system is also available with drainage openings.

The system can also be used as a free standing temporary safety barrier (REBLOC SWITCH).

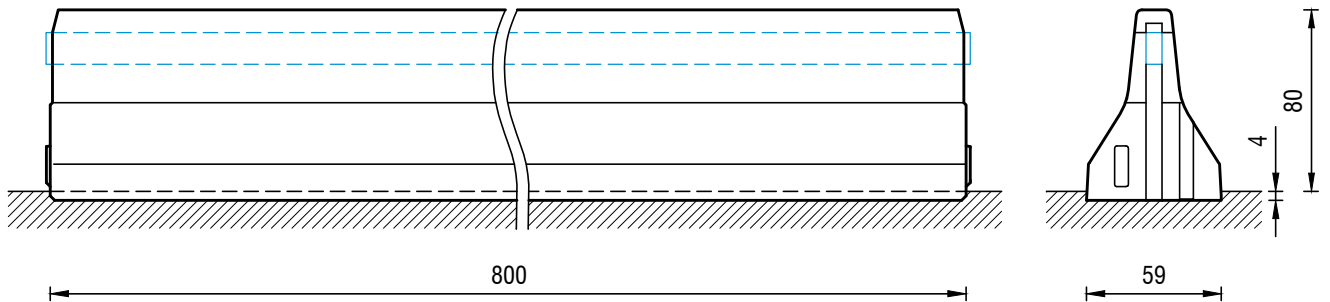
# REBLOC 84XEAL\_8

Standard element



tested according to EN1317-1/2

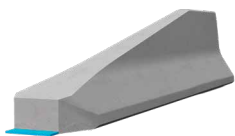
## Technical data



all dimensions in cm

Containment level	H2
Working width	W1
Impact severity level	ASI B
Vehicle intrusion	VI2
Installation	4 cm embedded in asphalt/concrete
Terminal elements	not necessary, optional available
Dimensions L x W x H in cm	800 x 59 x 84 cm
Weight/element	4.800 kg
Elements/truck (24 t)	5 elements
Minimum installation length	40 m (not including terminal elements)
Curve radius	$r \geq 260$ m, smaller radii on request
Coupling/exposed steel parts	fully integrated, exposed parts hot-dip galvanized
CE certification	✓

## System elements - combinable (optional)



Standard element  
REBLOC 84XEAL\_4T