

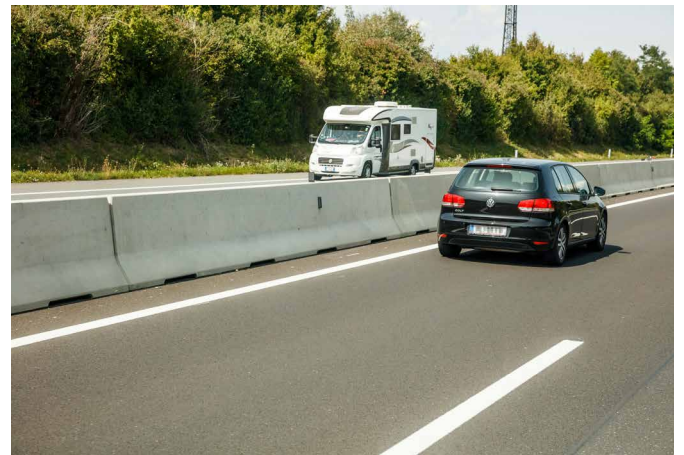
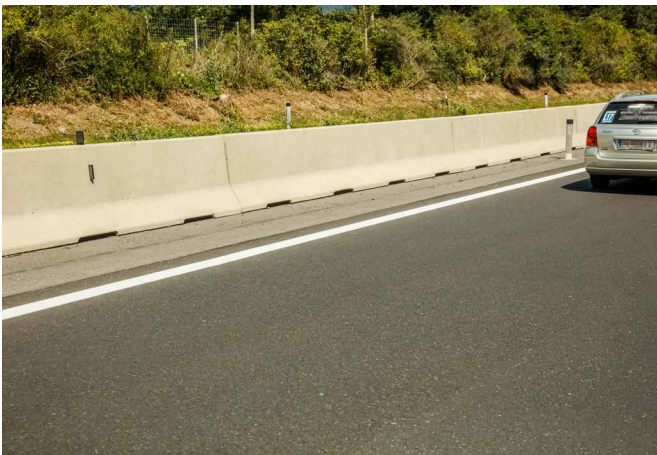
REBLOC 120Q_8

Standard element

Application
Permanent system

Installation
Free standing

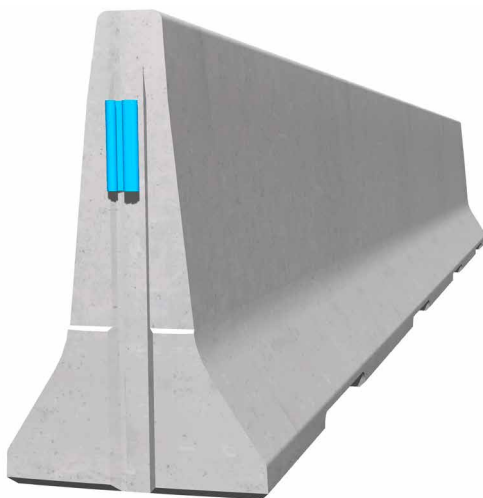
H4b | **W6**
tested according to EN1317-1/2¹⁾



Containment level **H4b** (covers H3, H2, H1, N1, T3, T2 and T1)
Working width **W6** (covers W7 and W8)
Impact severity level **ASI B**

Product features & Advantages

- High-performance system with maximum safety due to highest containment level H4b
- Effective glare protection due to system height of 120 cm
- Easy and quick installation



Permanent precast concrete vehicle restraint systems are used for long lasting protection on the central reservation and along the verge. Vehicles deviating from the road are retained or redirected and prevent a dangerous breakthrough onto the opposite carriageway.

In addition to the safety of road users, priorities in the development of our systems are also economic efficiency and return on investment. In addition, a long life as well as low environmental impact are important product features. As with all REBLOC® products, the REBLOC 120Q_8 has the integrated coupling, which guarantees a high protection against breakthrough and the elements can be quickly connected to each other.

¹⁾ based on a modification in accordance to EN 1317

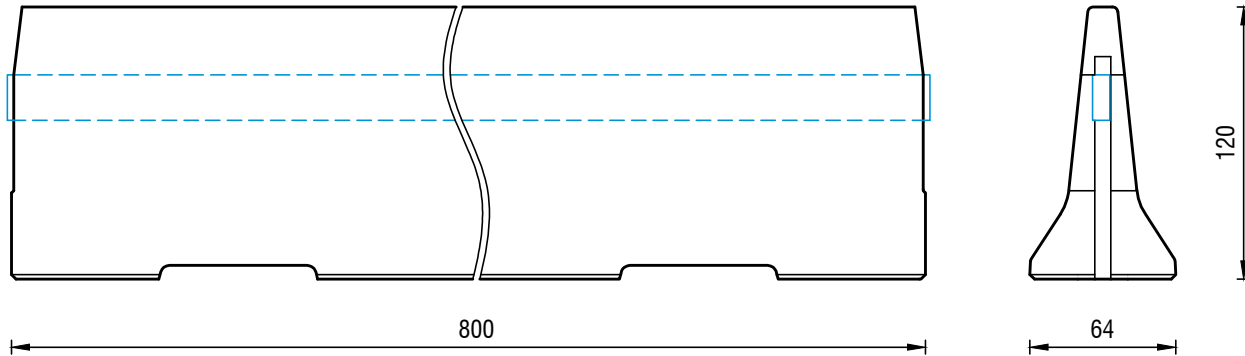
REBLOC 120Q_8

Standard element



tested according to EN1317-1/2¹⁾

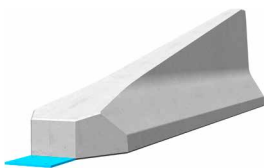
Technical data



all dimensions in cm

Containment level	H4b
Working width	W6
Impact severity level	ASI B
Vehicle intrusion	V18
Installation	free standing on asphalt/concrete
Terminal elements	required; REBLOC 120Q_5T (4 x M24 adhesive anchor)
Dimensions L x W x H in cm	800 x 64 x 120 cm
Weight/element	6.260 kg
Elements/truck (24 t)	3 elements
Minimum installation length	104 m (not including terminal elements)
Curve radius	$r \geq 108$ m
Coupling/exposed steel parts	fully integrated, exposed parts hot-dip galvanized
CE certification	✓

System element - combinable



Terminal element
REBLOC 120Q_5T
(inclination 1:5)

¹⁾ based on a modification in accordance to EN 1317