

# TRANSITION F40 EDSP 2.0 <> REBLOC 84XEAL\_8

Transition for pile driving ground



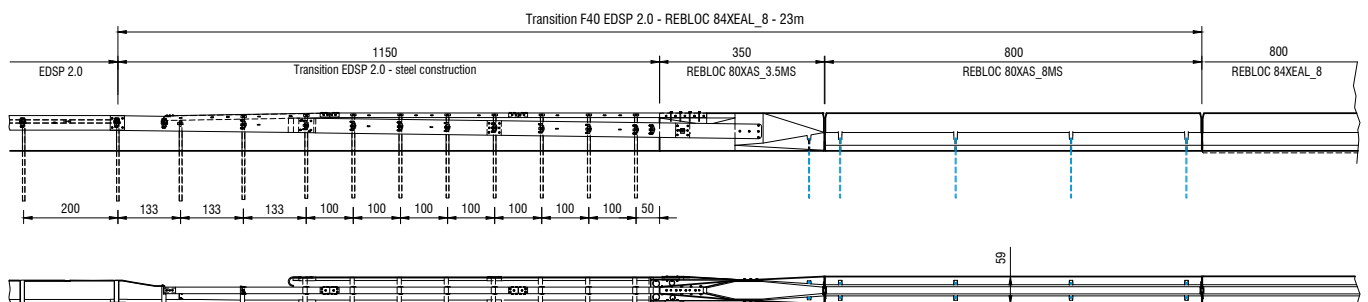
tested according to ENV1317-4



Containment level	<b>H1</b> (covers N1)
Working width	<b>W4</b> (covers W5, W6, W7 and W8)
Impact severity level	<b>ASI B</b>

## Product features

- Single-sided transition tested according to European Standards ENV 1317-4
- Safe connection from steel guardrail SAFEROAD EDSP 2.0 to REBLOC 84XEAL\_8 in both directions possible
- Composed of steel guardrail F40 EDSP 2.0 and precast concrete element REBLOC 80XAS\_3.5MS and precast concrete element REBLOC 80XAS\_8MS



## Technical data

Weight REBLOC 80X_3.5MS	2.220 kg
Weight REBLOC 80XAS_8MS	5.120 kg
Total length	23 m
Coupling/free steel parts	fully integrated, exposed parts hot-dip galvanized
Steel system elements	hot-dip galvanized

## REBLOC GmbH

Wiener Straße 662 · 3571 Gars/Kamp · Austria  
Tel.: +43 (0) 2985 30528 2900  
Fax: +43 (0) 2985 30528 2901  
office@rebloc.com