

# TRANSITION F41 EcoSafe 2.0 <> REBLOC 84XEAL\_8

Transition for pile driving ground

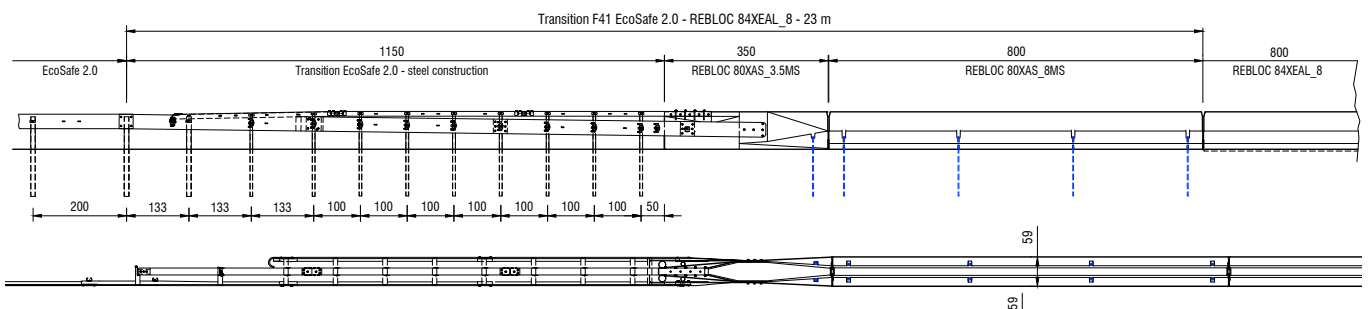
**H1** **W4**  
tested according to ENV1317-4



Containment level **H1** (covers N1)  
Working width **W4** (covers W5, W6, W7 and W8)  
Impact severity level **ASI B**

## Product features

- Single-sided transition tested according to European Standards ENV 1317-4
- Safe connection from steel guardrail EcoSafe 2.0 to REBLOC 84XEAL\_8 in both directions possible
- Composed of steel guardrail F41 EcoSafe 2.0 and precast concrete element REBLOC 80XAS\_3.5MS and precast concrete element REBLOC 80XAS\_8MS



## Technical data

Weight REBLOC 80X_3.5MS	2.220 kg
Weight REBLOC 80XAS_8MS	5.120 kg
Total length	23 m
Coupling/free steel parts	fully integrated, exposed parts hot-dip galvanized
Steel system elements	hot-dip galvanized

## REBLOC GmbH

Wiener Straße 662 · 3571 Gars/Kamp · Austria  
Tel.: +43 (0) 2985 30528 2900  
Fax: +43 (0) 2985 30528 2901  
office@rebloc.com

[www.rebloc.com](http://www.rebloc.com)