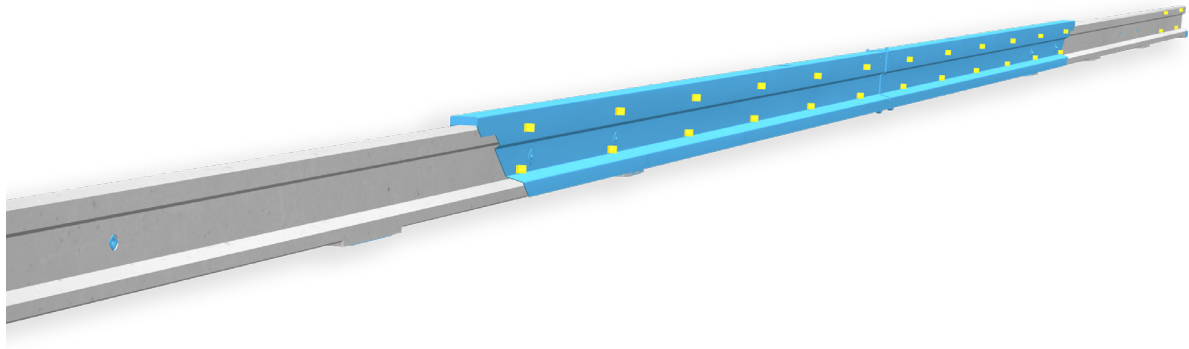


REBLOC 50H_EG12

Technical Datasheet

Emergency gate for REBLOC 50H_12

Free standing



REBLOC 50H_EG12

Technical data

Containment level	T1	T3
Working width	W1 ($W_N \leq 0.6$ m)	W4 ($W_N \leq 1.3$ m)
Impact severity level	ASI A	
Installation	free standing on asphalt concrete	
Application	single-sided double-sided	
Minimum installation length	180,6 m (2 emergency gate units + 6 pcs. REBLOC 50H_12 standard elements in front of resp. behind the emergency gate units)	
Initial/end anchorage	not necessary, optional available	
Dimensions L x W x H in cm	1230 x 26 x 55 cm per emergency gate unit (consisting of 1 concrete element and 1 corresponding steel sliding gate)	
Weight/element	approx. 2100 kg per emergency gate unit	
Coupling/exposed steel parts	fully integrated, exposed parts hot-dip galvanized	
Accessories	integrated handle bar, 2 bolts for locking per emergency gate unit, connection coupling including lock	
Features	integrated roller bearings for smooth opening/closing of the sliding gates Equipped with reflectors on both sides for guidance, increasing safety and awareness of road users	

all dimensions in cm

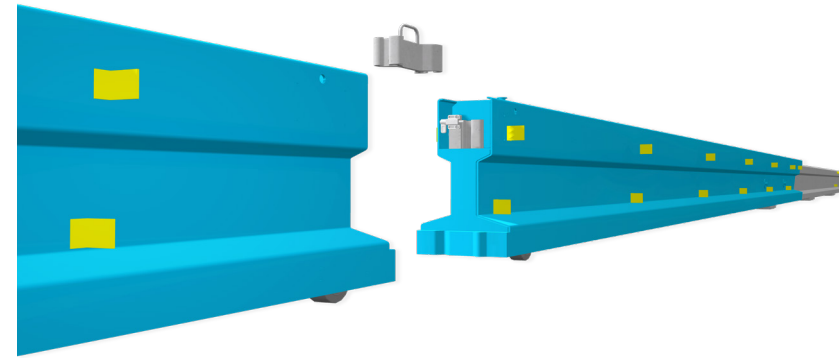
REBLOC 50H_EG12

Technical Datasheet

RE	T1	W1
	T3	W4
ASI A		

Emergency gate for REBLOC 50H_12

Free standing

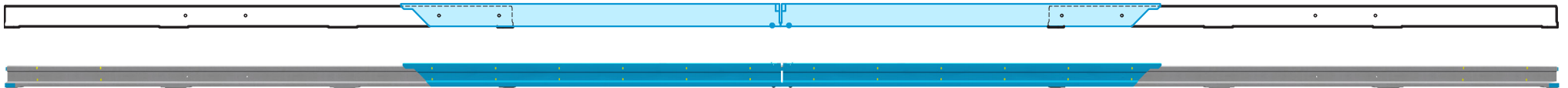


REBLOC 50H_EG12

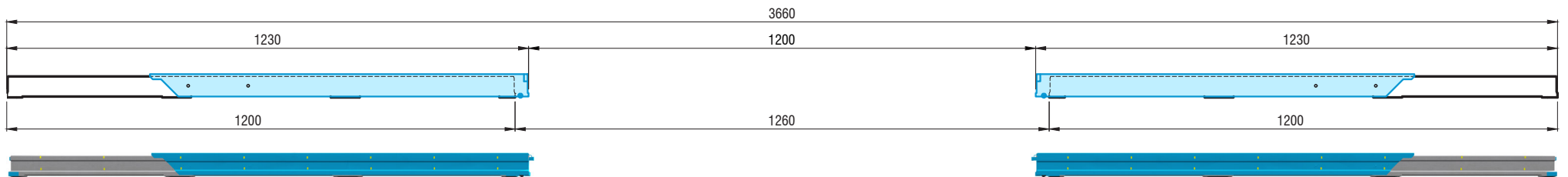
Product features & advantages

- + Tested emergency gate in accordance with EN 1317 for openings up to 12 m
- + Easy and quick opening/closing without tools (handle bar integrated)
- + No protruding parts into traffic when opened or closed
- + Positioning of emergency gate anywhere in the barrier chain possible

Closed emergency gate (2 emergency gate units)



Opened emergency gate (2 emergency gate units)



all dimensions in cm